


# PRODUCT SHEET

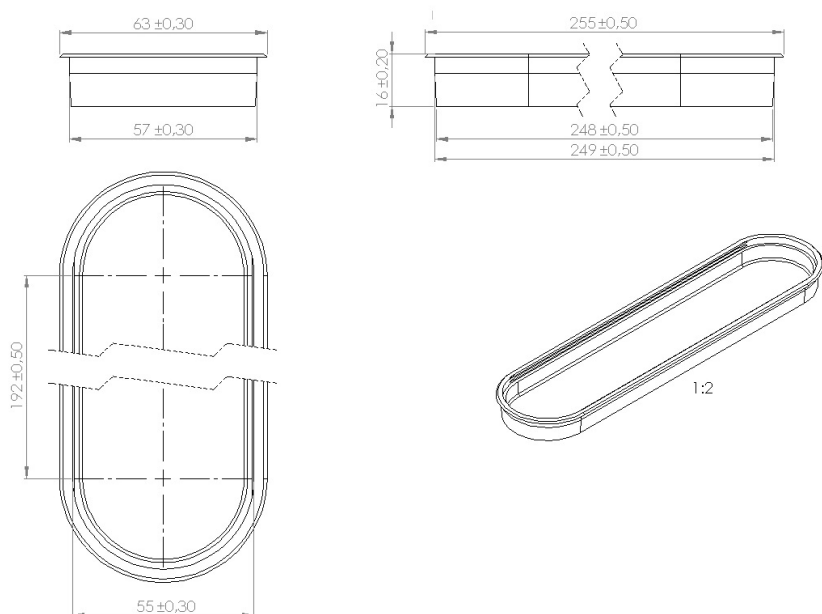
## Description:

Salsa Cable Grommet "L" 250x57x15mm, Black, W/2 SS-304 Brushed Lids, W/SISO Denmark Logo On Back

## Item number:

25.20.316-0

Units	Box	Carton	HS Code	Barcode
Set	20	100	3926300090	 5704866001045



**SISO A/S**  
Mileparken 11  
DK-2740 Skovlunde  
Denmark  
VAT: DK 24786013

Phone +45 45 830 900  
[www.siso.dk](http://www.siso.dk)  
[siso@siso.dk](mailto:siso@siso.dk)

Danske Bank  
Nytorv Branch  
Copenhagen  
SWIFT: DABADKKK

Account no.  
4180 3112 112936  
IBAN Account  
DK7230003112112936